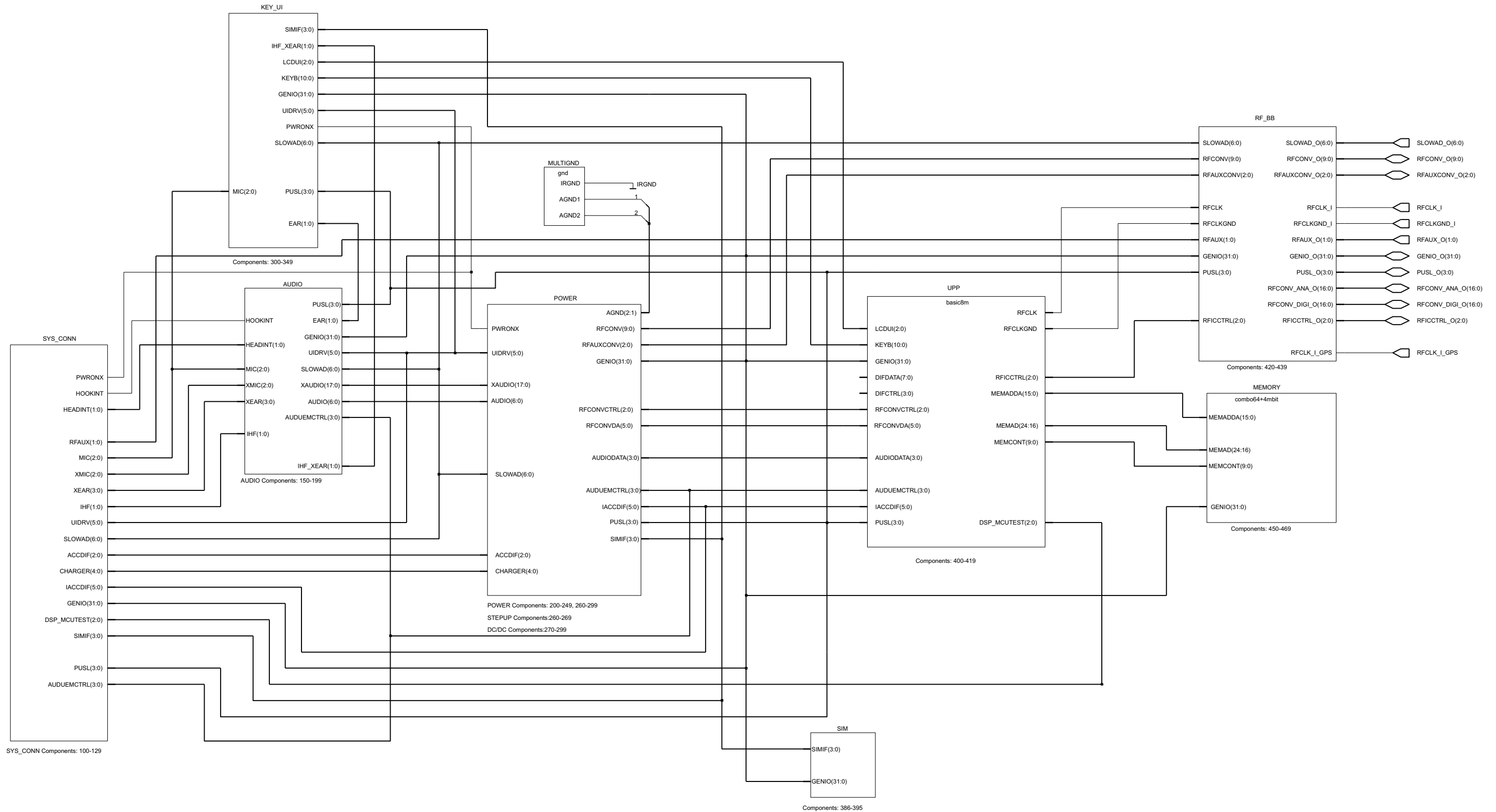
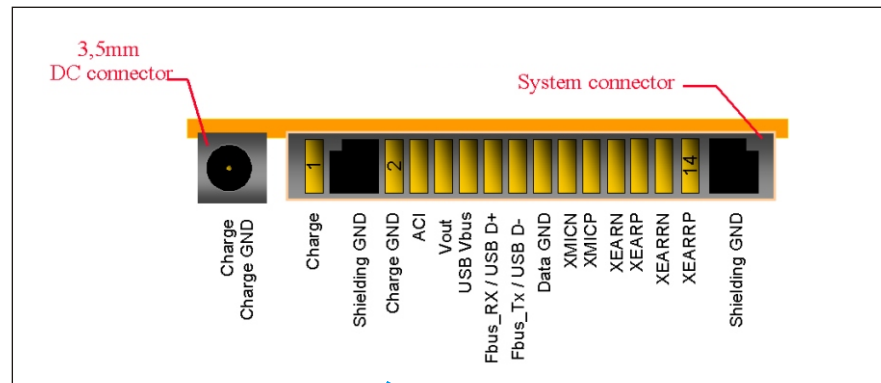


Table of Contents	Page
DCT4 Common Baseband	1
System connector	2
Analog Audio	3
LED/Vibra/Keyboard/Display	4
UEM	5
UPP & Flash	6
RF Schematics	7
Signal overview / Layout	8
Component finder	9



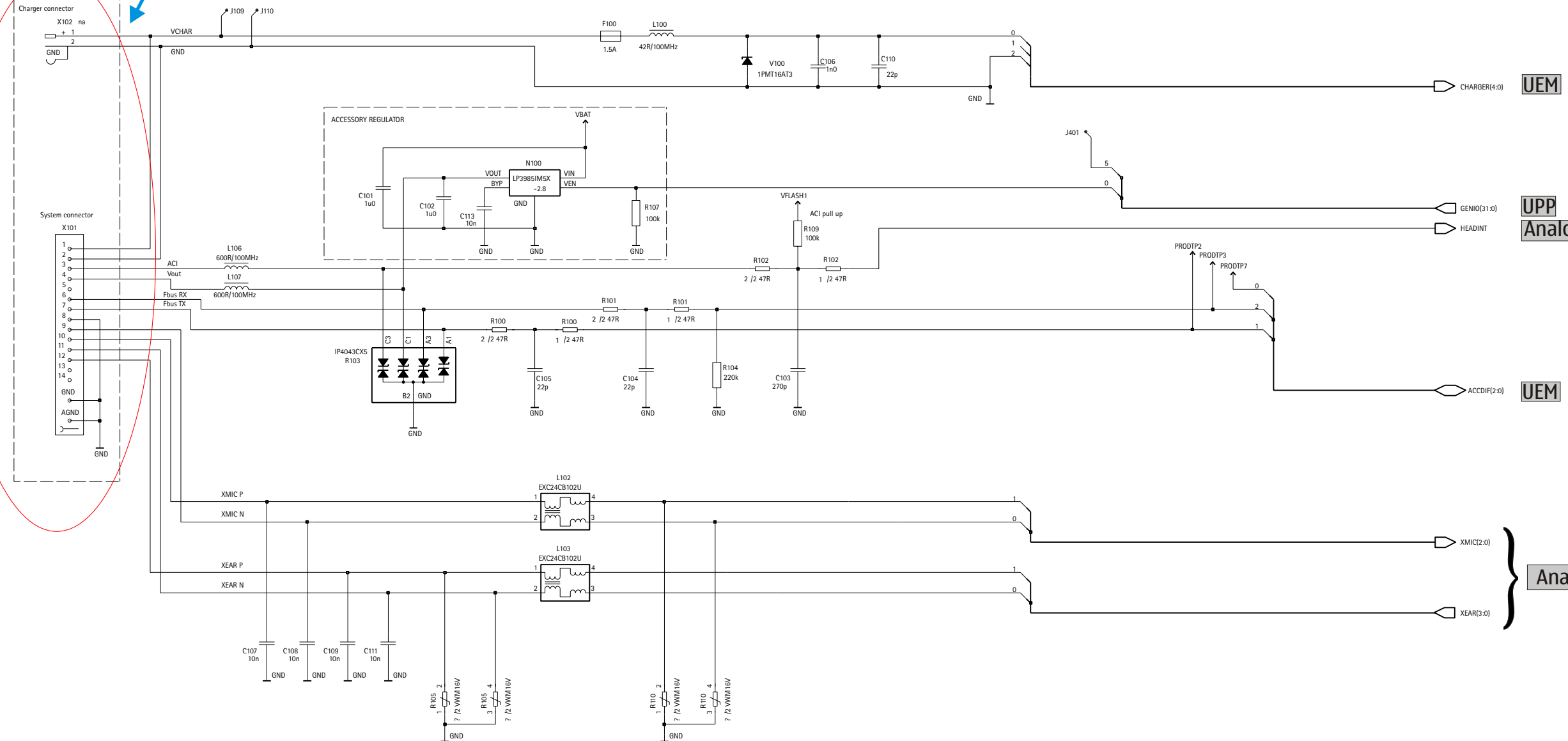
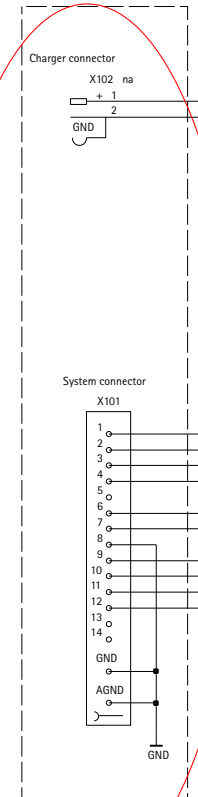
SYS_CONN Components: 100-129

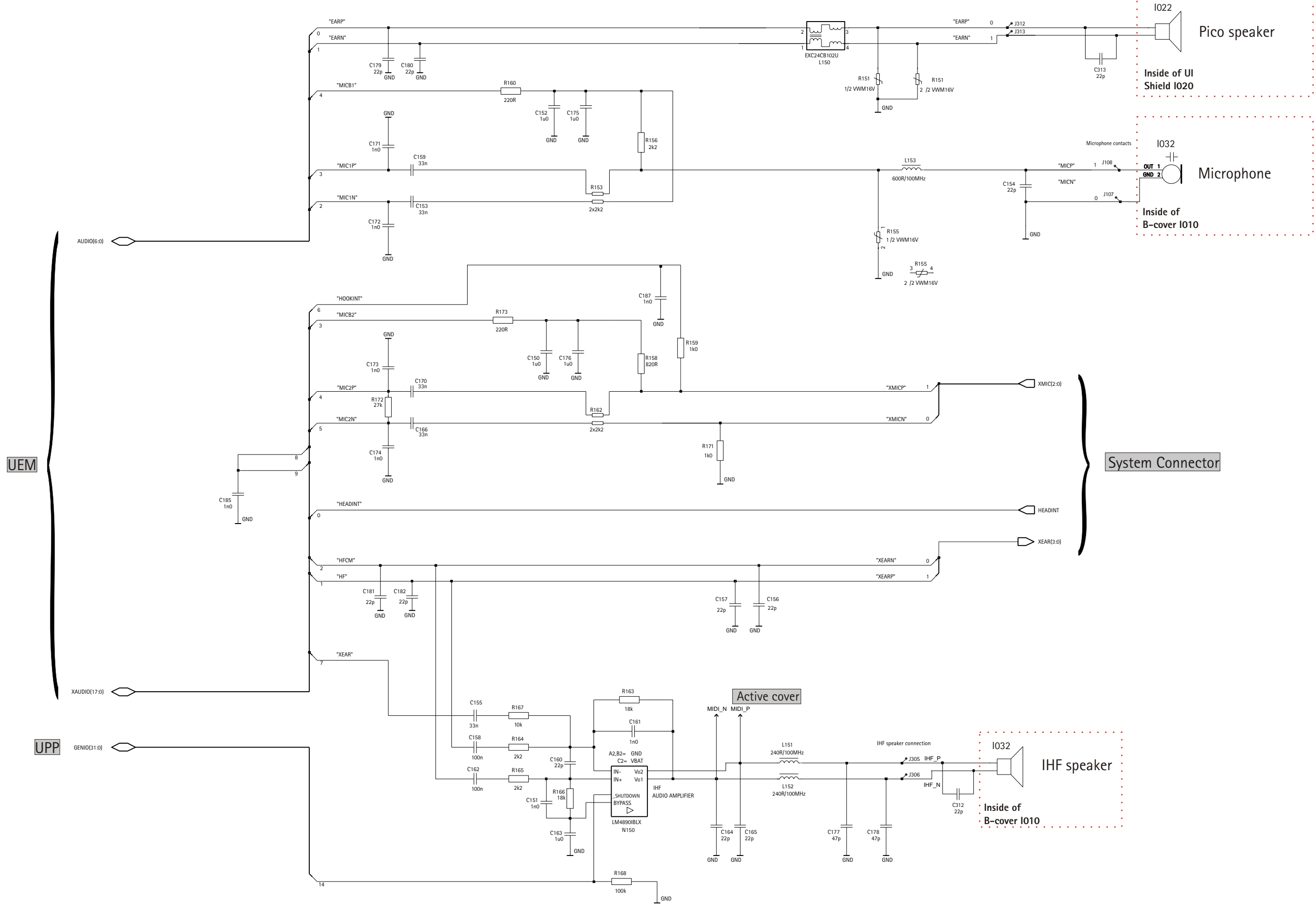
Components: 386-395

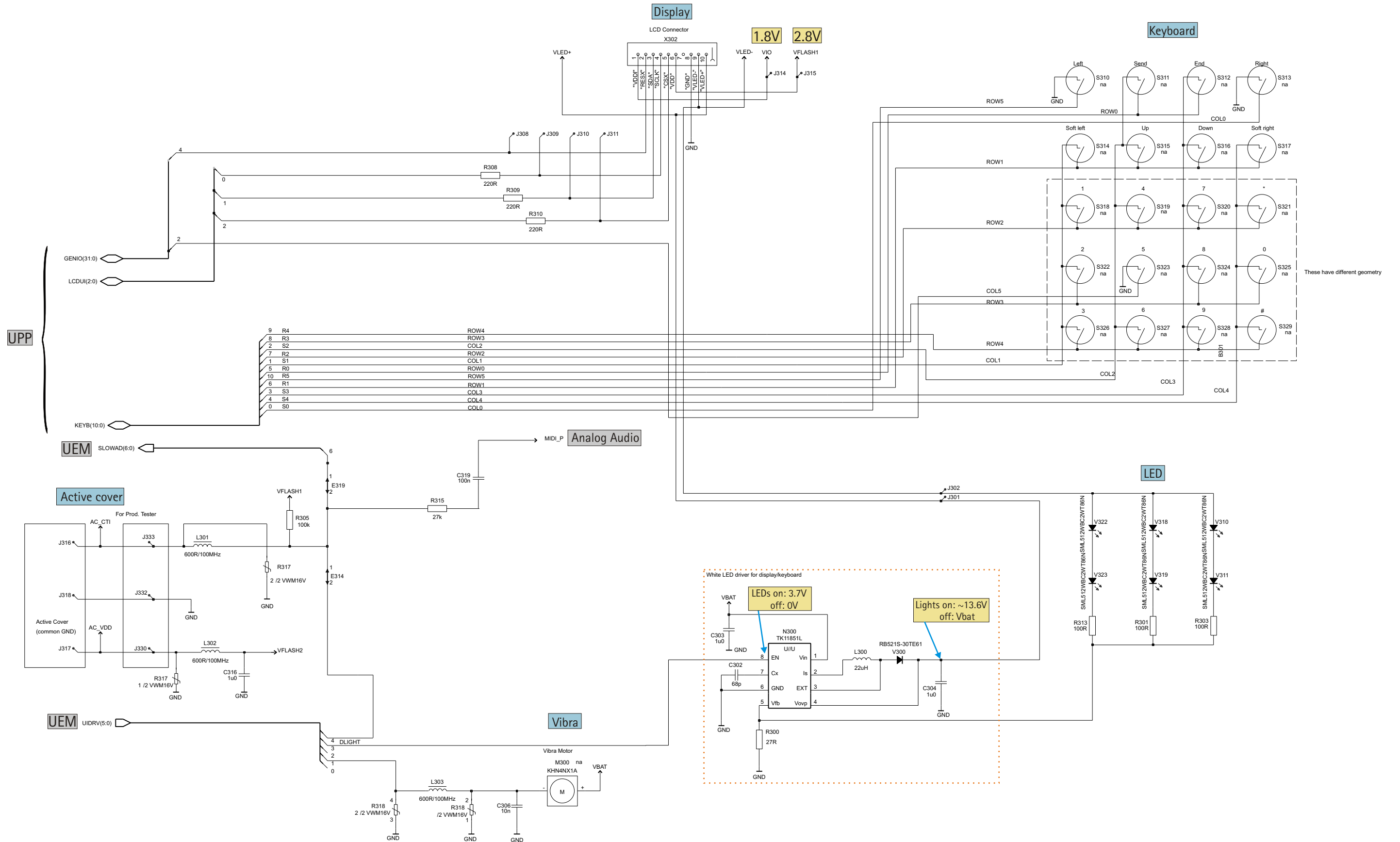


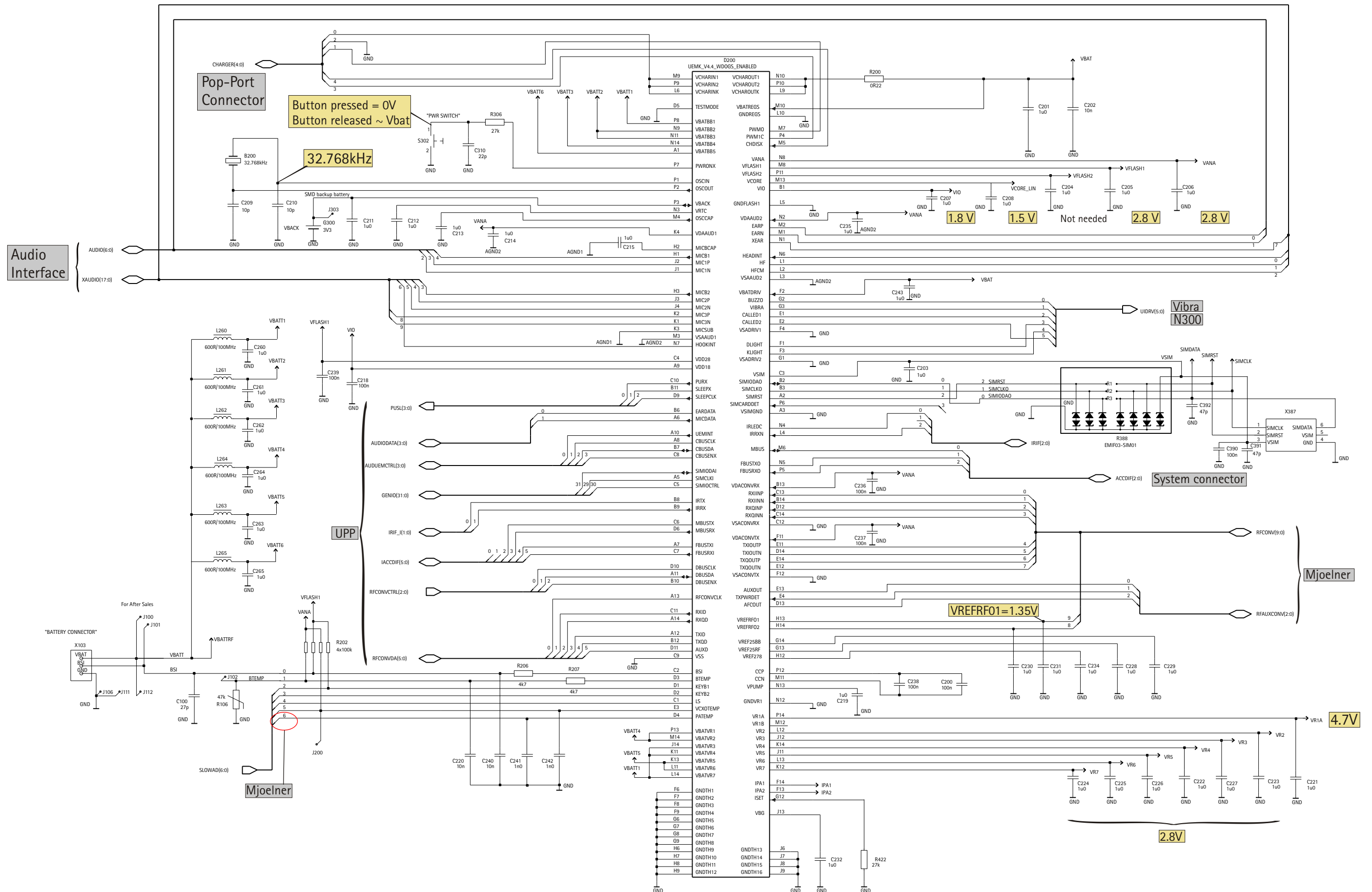
Pop-Port connector

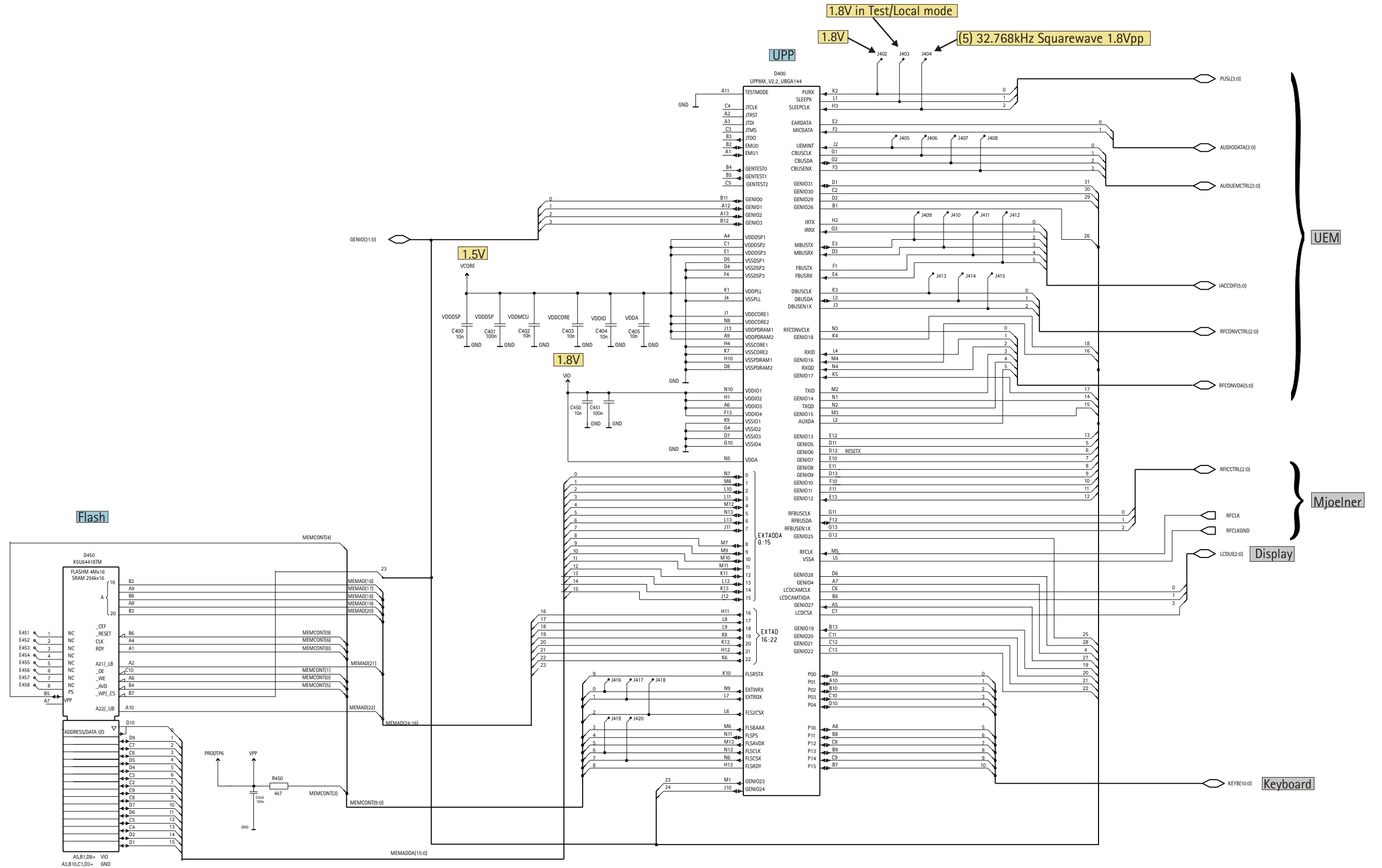
BOTTOM CONNECTOR





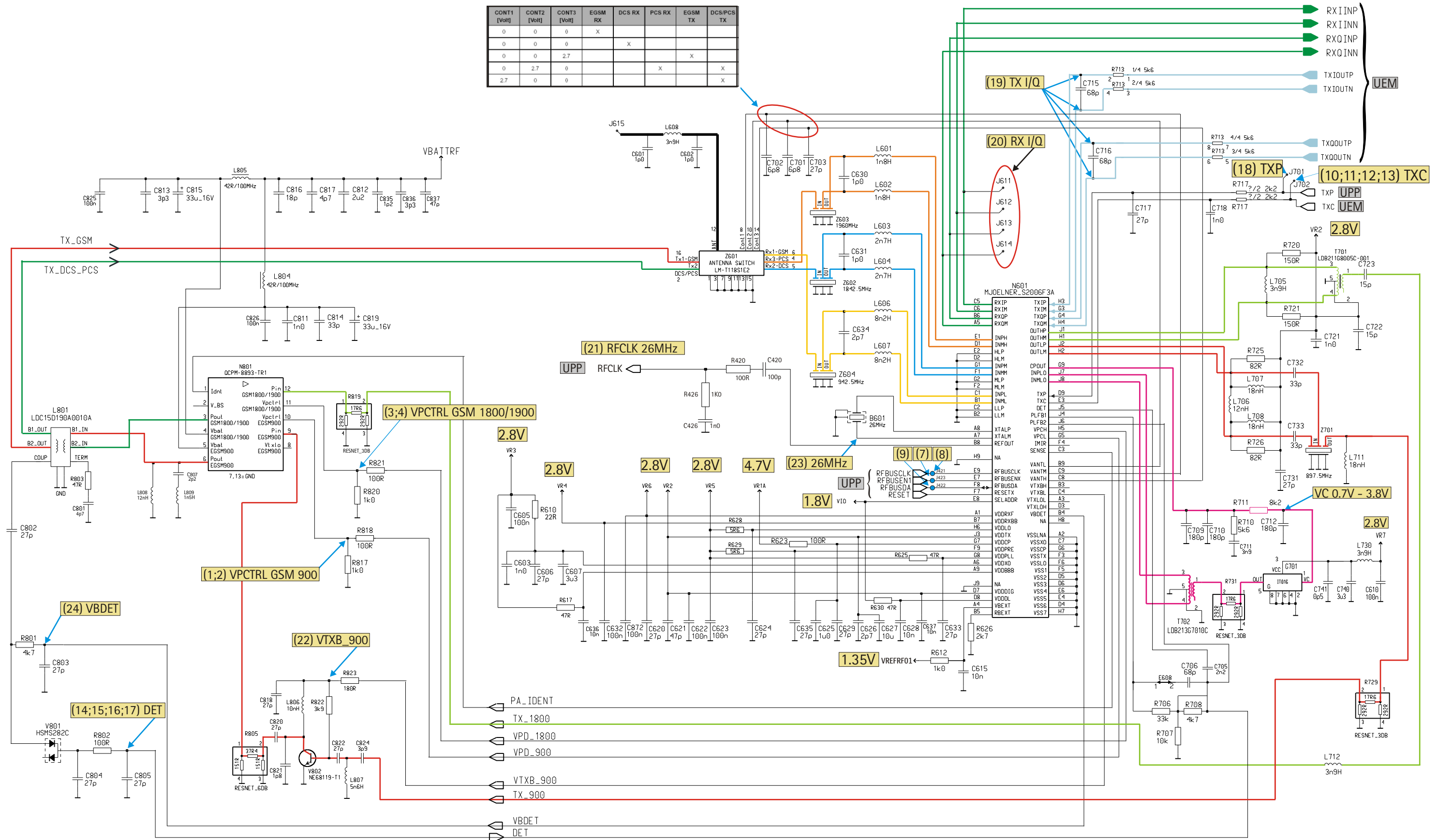


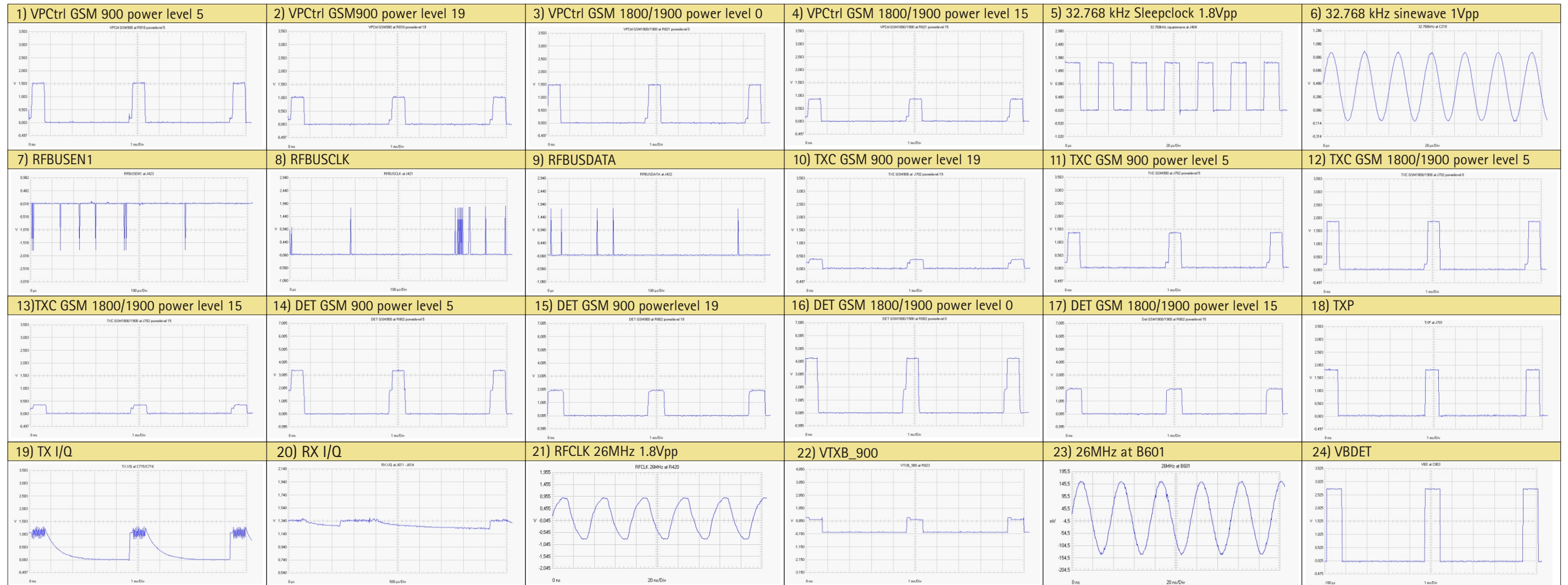
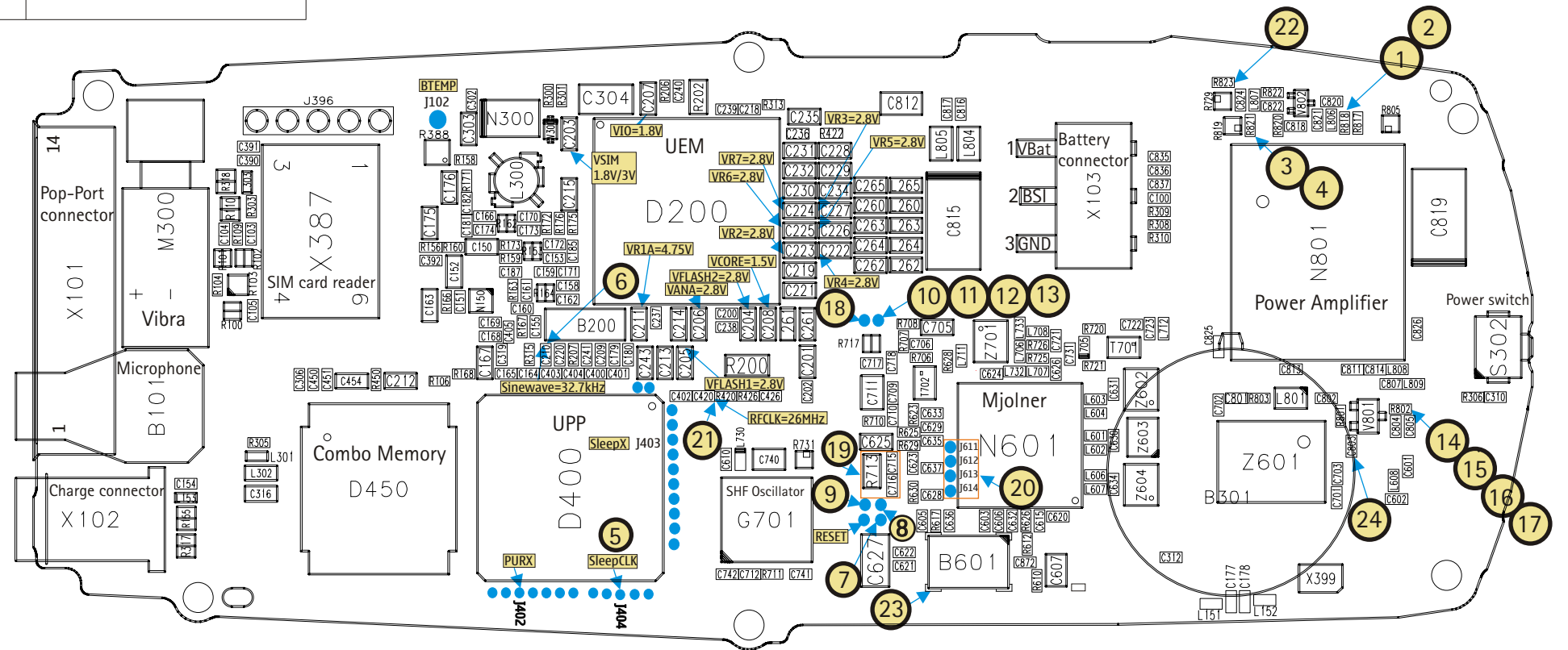




Band	Channel	RX	VC/RX	VCO/RX	TX	VCO/TX	VC/TX
GSM 900	37	942,4MHz	~2,58V	3769,6MHz	897,4MHz	3589,6MHz	~1,8V
GSM 1800	700	1842,8MHz	~2,2V	3685,6MHz	1747,8MHz	3495,6MHz	~1,4V
GSM 1900	661	1960MHz	~3,2V	3920MHz	1880MHz	3760MHz	~2,54V

CONT1 [Volt]	CONT2 [Volt]	CONT3 [Volt]	EGSM RX	DCS RX	PCS RX	EGSM TX	DCS/PCS TX
0	0	0	X				
0	0	0		X			
0	0	2.7				X	
0	2.7	0			X		X
2.7	0	0					X





B	C187	N7	C316	R4	C718	I6	L263	I8	R159	N7	R303	R8	R623	I5	R801	D5	V310	R5	Z604	F4	
B101	S5	C200	L7	C319	O6	C721	G6	L264	I8	R160	O7	R305	R5	R625	I5	R802	C5	V311	R7	Z701	H6
B200	M6	C201	K6	C390	R9	C722	F6	L265	I8	R162	N8	R306	B6	R626	H4	R803	E6	V318	O5		
B300	B6	C202	K6	C391	R9	C723	F6	L300	N8	R163	N7	R308	F8	R628	I6	R805	C9	V319	O7		
B301	E5	C203	N9	C392	O7	C731	G6	L301	R5	R164	N7	R309	F8	R629	I5	R817	C9	V322	L5		
B601	H3	C204	K6	C400	M6	C740	K5	L302	R5	R166	O7	R310	F8	R630	I4	R818	D9	V323	L8		
C	C205	L6	C401	M6	C741	K3	L303	R8	R167	N6	R313	K9	R706	I6	R819	E9	V801	C5			
C100	F8	C206	L6	C402	L6	C742	L3	L601	G5	R168	O6	R314	Q5	R707	I6	R820	D9	V802	D9		
C101	T6	C207	M9	C403	N6	C801	E6	L602	G5	R171	O8	R315	N6	R708	I6	R821	E9	X			
C102	T8	C208	K6	C404	N6	C802	D6	L603	G5	R172	N8	R317	S4	R710	J5	R822	E9	X101	T7		
C103	R8	C209	M6	C405	N6	C803	C5	L604	G5	R173	N8	R318	R8	R711	K3	R823	E10	X102	T4		
C104	R8	C210	N6	C420	L6	C804	C5	L606	G5	R175	N8	R388	O9	R713	J5	S		X103	G8		
C105	R7	C211	M6	C426	K6	C805	C5	L607	G4	R176	N8	R420	L6	R717	J6	S302	B6	X302	B8		
C106	T6	C212	P6	C450	Q6	C807	C6	L608	C4	R200	K6	R422	J9	R720	G6	T		X387	Q8		
C107	T8	C213	L6	C451	Q6	C811	C6	L705	G6	R202	L9	R426	K6	R721	G6	T701	F6	X399	D3		
C108	T7	C214	L6	C454	P6	C812	I9	L706	H6	R206	L10	R450	P6	R725	H6	T702	I6	Z			
C109	T8	C215	N8	C601	C5	C813	D6	L707	H6	R207	N6	R610	H3	R726	H6	V		Z601	E5		
C110	T6	C218	K9	C602	C4	C814	C6	L708	H6	R300	N9	R612	H4	R729	E9	V100	T5	Z602	F6		
C111	T8	C219	K7	C603	H4	C815	I8	L711	I6	R301	N9	R617	I4	R731	K5	V300	N9	Z603	F5		
C113	T7	C220	N6	C605	I4	C816	I9	L712	F6												
C150	O7	C221	K7	C606	H4	C817	I9	L730	K5												
C151	O7	C222	J7	C607	G3	C818	D9	L732	H6												
C152	O7	C223	K7	C610	L5	C819	B8	L733	H6												
C153	N7	C224	K8	C615	H4	C820	D9	L801	D6												
C154	S4	C225	K8	C620	G4	C821	D9	L804	H9												
C155	N6	C226	J8	C621	I3	C822	E9	L805	I9												
C156	T8	C227	J8	C622	I4	C824	E9	L806	D9												
C157	T8	C228	J9	C623	I5	C825	E6	L807	E9												
C158	N7	C229	J8	C624	H6	C826	C6	L808	C6												
C159	N7	C230	K8	C625	J5	C835	F9	L809	C6												
C160	N7	C231	K9	C626	G6	C836	F8	M													
C161	N7	C232	K8	C627	J3	C837	F8	M300	S8												
C162	N7	C234	J8	C628	I4	C872	H3	N													
C163	O7	C235	K9	C629	I5	D		N100	T7												
C164	N6	C236	K9	C630	G5	D200	L8	N150	O7												
C165	N6	C237	M7	C631	G6	D400	N4	N300	N9												
C166	O8	C238	L6	C632	H4	D450	P4	N601	H5												
C167	O6	C239	L9	C633	I5	F		N801	D7												
C168	O6	C240	L10	C634	G4	F100	T5	R													
C169	O6	C241	M6	C635	I5	G		R100	R7												
C170	N8	C243	M6	C636	I4	G701	K4	R101	R7												
C171	N7	C260	J8	C637	I5	L		R102	R7												
C172	N8	C261	K6	C701	D4	L100	T5	R103	R7												
C173	N8	C262	J7	C702	E5	L102	T7	R104	R7												
C174	O8	C263	J8	C703	D5	L103	T8	R105	T8												
C175	O8	C264	J8	C705	I6	L106	T6	R106	O6												
C176	O8	C265	J8	C706	I6	L107	T6	R107	T7												
C177	E3	C302	O9	C709	I6	L150	B5	R109	R8												
C178	E3	C303	O9	C710	I5	L151	E3	R110	R8												
C179	M6	C304	M9	C711	J6	L152	E3	R151	C5												
C180	M6	C306	Q6	C712	K3	L153	S4	R153	N7												
C181	O8	C310	B6	C715	I5	L260	I8	R155	S4												
C182	O8	C312	F3	C716	I4	L261	K6	R156	O7												
C185	N7	C313	B5	C717	J6	L262	I7	R158	O9												

